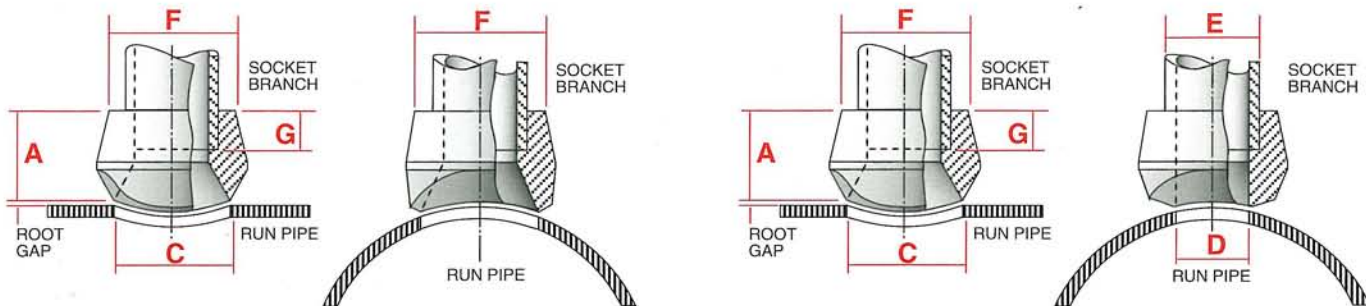


# ® PROMAT - SOCKET-WELD & THREADED BRANCH WELDING OUTLETS



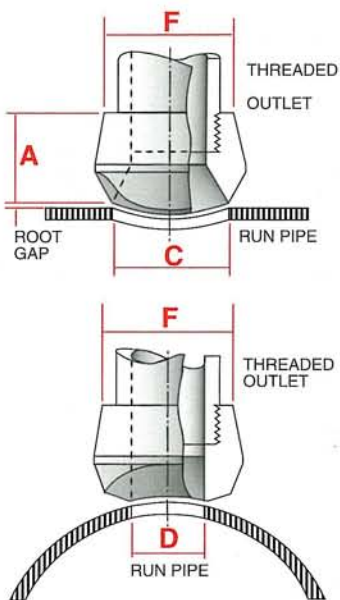
## REDUCING SIZE

## FULL SIZE

SOCKET OUTLET 3000lb	OUTLET SIZE	A	C	F	G	APPROX WEIGHT	A	C	D	F	G	APPROX WEIGHT	E
	1/2	25.50	24.00	31.80	10.00	0.11	25.50	24.00	15.80	31.80	10.00	0.14	21.72
3/4	27.00	30.00	36.60	13.00	0.16	27.00	30.00	21.00	36.60	13.00	0.16	27.05	
1	33.40	36.50	46.10	13.00	0.30	33.40	36.50	26.60	46.10	13.00	0.30	33.78	
1 1/4	33.40	44.50	55.60	13.00	0.41	33.40	44.50	35.00	55.60	13.00	0.45	42.55	
1 1/2	34.80	51.00	62.00	13.00	0.45	34.80	51.00	40.90	62.00	13.00	0.47	48.64	
2	38.00	65.00	74.70	16.00	0.80	38.00	65.00	52.50	74.70	16.00	0.85	61.11	
2 1/2	46.00	76.15	87.40	16.00	1.37	46.00	76.15	62.80	87.40	16.00	1.42	73.81	
3	50.70	93.50	104.80	16.00	2.00	50.70	93.50	78.00	104.80	16.00	2.20	89.79	
3 1/2	53.80	101.60	122.30	19.00	2.61	53.80	101.60	90.20	122.30	19.00	2.70	102.62	
4	57.00	120.50	130.20	19.00	3.23	57.50	120.50	102.20	130.20	19.00	3.50	115.44	

SOCKET OUTLET 6000lb	OUTLET SIZE	A	C	F	G	APPROX WEIGHT	A	C	D	F	G	APPROX WEIGHT	E
	1/2	31.50	19.00	40.00	10.00	0.25							
3/4	36.50	25.50	46.00	13.00	0.37								27.05
1	39.60	33.40	57.20	13.00	0.60								33.78
1 1/4	41.00	38.00	65.10	13.00	0.75								42.55
1 1/2	42.70	49.30	76.30	13.00	0.92								48.64
2	52.10	70.00	92.10	16.00	2.35								61.11



## REDUCING SIZE

## FULL SIZE

THREADED OUTLET 3000lb	OUTLET SIZE	A	C	F	APPROX WEIGHT	A	C	D	F	APPROX WEIGHT
	1/2	25.50	24.00	31.80	0.11	25.50	24.00	15.80	31.80	0.14
3/4	27.00	30.00	36.60	0.16	27.00	30.00	21.00	36.60	0.16	
1	33.40	36.50	46.10	0.30	33.40	36.50	26.60	46.10	0.30	
1 1/4	33.40	44.50	55.60	0.41	33.40	44.50	35.00	55.60	0.45	
1 1/2	34.80	51.00	62.00	0.45	34.80	51.00	40.90	62.00	0.47	
2	38.00	65.00	74.70	0.80	38.00	65.00	52.50	74.70	0.85	
2 1/2	46.00	76.15	87.40	1.37	46.00	76.15	62.80	87.40	1.42	
3	50.70	93.50	104.80	2.00	50.70	93.50	78.00	104.80	2.20	
3 1/2	53.80	101.50	122.30	2.61	53.80	101.60	90.20	122.30	2.70	
4	57.00	120.50	130.20	3.23	57.00	120.50	102.20	130.20	3.50	

THREADED OUTLET 6000lb	OUTLET SIZE	A	C	F	APPROX WEIGHT
	1/2	31.50	19.00	40.00	0.20
3/4	36.50	25.50	46.00	0.35	
1	39.60	33.40	57.20	0.60	
1 1/4	41.00	38.00	65.10	0.71	
1 1/2	42.70	49.30	76.30	0.90	
2	52.10	70.00	92.10	2.30	

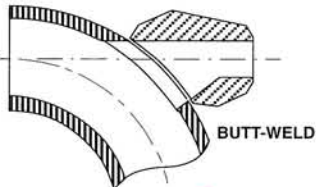
# ® PROMAT - NIPPLE WELDING OUTLETS

NOMINAL PIPE SIZE MM	'B' (MIN.) MM	OUTLET	3000lb		6000lb	
			A	C	A	C
15.00	25.00	1/2	89.00	24.00	14.50	
20.00	25.00	3/4	89.00	30.00	19.00	
25.00	30.00	1	89.00	36.50	25.50	
40.00	30.00	1 1/4	89.00	44.50	33.40	
50.00	30.00	1 1/2	89.00	51.00	38.00	
		2	89.00	65.00	43.00	

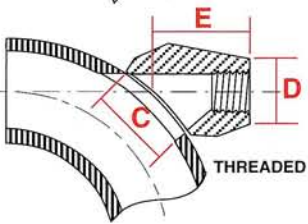
**NOTES:**  
3000lb fittings are bored schedule 80.  
6000lb fittings are bored schedule 160.  
Other bore diameters can be manufactured if required.



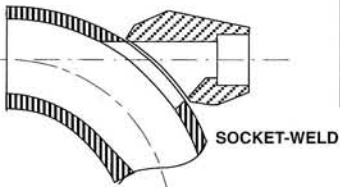
® **PROMAT - ELBOW & LATERAL** BRANCH WELDING OUTLETS



BUTT-WELD



THREADED



SOCKET-WELD

**ELBOW CONNECTION**

**3000lb THREADED & SOCKET-WELD, STANDARD & EXTRA STRONG BUTT-WELD**

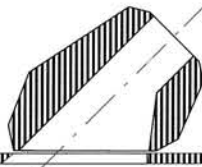
**6000lb THREADED AND SOCKET-WELD, Schd.160 AND XXS BUTT-WELD**

OUTLET SIZE	C	D	E	APPROX. WEIGHT	C	D	E	APPROX. WEIGHT
1/2	38.20	31.80	38.10	0.30	43.60	35.70	45.20	0.39
3/4	43.60	35.70	45.20	0.34	54.00	45.20	52.40	0.57
1	54.00	45.20	52.40	0.52	73.00	54.80	55.60	1.00
1 1/4	73.00	54.80	55.60	0.86	79.40	63.50	58.80	1.77
1 1/2	79.40	63.50	58.80	1.20	106.40	82.60	69.98	2.80
2	106.40	82.60	69.90	2.39				

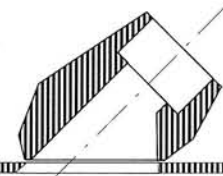
**NOTES:**

Dimensions are the same for all three fittings except the "D" dimension for the Butt-Welding Outlet which is equal to the outside diameter of the connecting branch pipe.

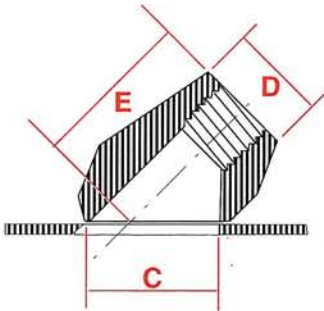
Larger outlet sizes are available on request.



BUTT-WELD



SOCKET-WELD



THREADED

**LATERAL CONNECTION**

**3000 lb THREADED & SOCKET-WELD, STANDARD & EXTRA STRONG BUTT-WELD**

**6000lb THREADED AND SOCKET-WELD, Schd.160 AND XXS BUTT-WELD**

OUTLET SIZE	C	D	E	APPROX. WEIGHT	C	D	E	APPROX. WEIGHT
1/2	36.50	31.80	39.70	0.30	43.60	35.70	47.60	0.39
3/4	43.60	35.70	47.60	0.34	54.00	45.20	57.20	0.57
1	54.00	45.20	57.20	0.52	67.50	54.80	61.90	1.00
1 1/4	67.50	54.80	61.90	0.86	76.20	63.50	66.70	1.32
1 1/2	76.20	63.50	66.70	1.20	104.80	82.60	81.00	2.80
2	104.80	82.60	81.00	2.39				

**NOTES:**

Dimensions are the same for all three fittings except the "D" dimension for the Butt-Welding Outlet which is equal to the outside diameter of the connecting branch pipe.

Larger outlet sizes are available on request.